

# ADVR-2300M

Hybrid Universal Analog / Digital 1 or 3 phase  
3.5Amp Self Excited, Shunt, Auxiliary Winding,  
Harmonic Power or PMG Automatic Voltage  
Regulator

## Features

- Power input single phase 60 to 300 Vac @ 50 to 500 Hz
- Sensing input 1 or 3 phase 220 to 600 Vac programmable, RMS reading
- Voltage regulation less than +/-0.5%
- 50/60 Hz selectable
- Multiple power input source SHUNT, AUX, HARMONIC, PMG
- Inverse-time over excitation & under frequency protection
- Soft start voltage ramping
- Built-in high capacity protection fuse
- Panel mounted, internal wiring external adjustment
- Apply with KUTAI IVT-1260/IVT-2460 to exceeds normal generator motor starting capabilities
- Digital circuit for voltage sensing and under frequency protection



ADVR-2300M  
www.kutai.com.tw

CE EN61204-3:2001 Certified

- Effectively minimize the output voltage variations and under frequency knee point drifted affected by temperature changes

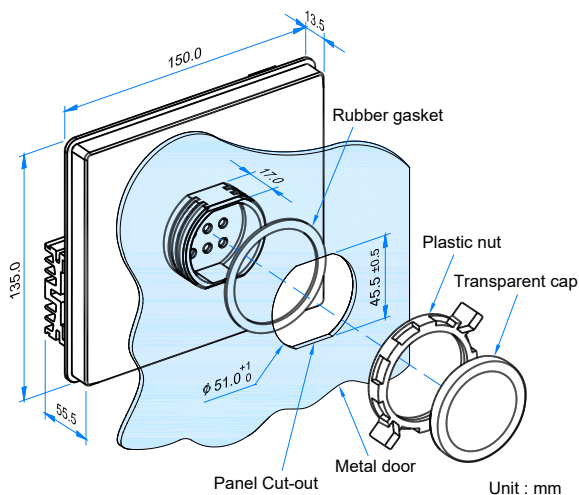
## Specifications

<b>Sensing Input</b>	Voltage 220 to 600 Vac 1 or 3 phase DIP switch setting Frequency 50/60 Hz DIP switch setting	<b>Static Power Dissipation</b>	Max. 6 watts
<b>Power Input</b>	Voltage 60 to 300 Vac 1 phase 2 wire Frequency 50 to 500 Hz	<b>Burden in Shunt &amp; PMG Wiring</b>	550 VA @ power input 110 Vac 1100 VA @ power input 220 Vac
<b>Excitation Output</b>	Voltage Continuous 125 Vdc @ power input 220 Vac Current Continuous 3.5A Intermittent 7A for 10 seconds Resistance $\geq 18$ ohms @ power input 110 Vac $\geq 36$ ohms @ power input 220 Vac	<b>Quadrature Droop Input</b>	CT 1A or 5A > 5VA (DIP switch setting) Sensitivity Max. +/-7% @ P.F +/-0.7
<b>External Volts Adjustment</b>	Max. +/-5% @ 500 ohm 1 watt potentiometer Max. +/-10% @ 1K ohm 1 watt potentiometer	<b>Analogue Input</b>	Input resistance greater than 2K ohms Max. Input +/-5 Vdc or +10 Vdc Sensitivity 1 Vdc for 2.5% Generator Volts
<b>Voltage Regulation</b>	Less than +/-0.5% (with 4% engine governing)	<b>Under Frequency Protection (Factory Presets)</b>	50 Hz system knee point at 45 Hz 60 Hz system knee point at 55 Hz
<b>Build Up Voltage</b>	5Vac 25Hz residual volts at power input terminal	<b>Over Excitation Protection</b>	Inverse-time 125 +/- 4 Vdc @ power input 220 Vac
<b>Soft Start Ramp Time</b>	4 seconds +/-10%	<b>Voltage Thermal Drift</b>	Less than 3% at -40 to +70 °C
<b>EMI Suppression</b>	Internal electromagnetic interference filtering		

## Environment

<b>Operating Temperature</b>	-40 to +60 °C	<b>Relative Humidity</b>	Max. 95%
<b>Storage Temperature</b>	-40 to +85 °C	<b>Vibration</b>	5.5 Gs @ 60 Hz

## Dimensions



## AVR Control Functions

<b>VOLT</b>	Voltage adjustment
<b>STAB</b>	Stability adjustment
<b>U/F</b>	Setting under frequency protection knee point
<b>DROOP</b>	Droop adjustment
<b>TRIM</b>	Analogue input adjustment
<b>DIP</b>	Voltage droop ratio setting
<b>O/E LED</b>	Over excitation protection indicator
<b>U/F LED</b>	Under frequency protection indicator

## Physical Specifications

<b>Dimensions</b>	150.0 (L) x 135.0 (W) x 55.5 (H) mm 5.91 (L) x 5.31 (W) x 2.19 (H) inch
<b>Weight</b>	460 g +/-2% 1.01 lb +/-2%



KUTAI ELECTRONICS INDUSTRY CO., LTD.  
TEL : +886-7-8121771 FAX : +886-7-8121775 Website : [www.kutai.com.tw](http://www.kutai.com.tw)  
Headquarters : No.3, Ln. 201, Qianfu St., Qianzhen Dist., Kaohsiung City 806037, Taiwan

